

Hose Reel Inlet Kit - Diesel Exhaust Fluid (DEF)

407130A

EN

2 foot or 6 foot inlet kit for use with XD30 Diesel Exhaust Fluid (DEF) BSP hose reels.

Part Nos.:

24W250 - 2 foot inlet hose

24W251 - 6 foot inlet hose

Maximum Working Pressure: 200 psi (13.8 bar, 138 MPa)

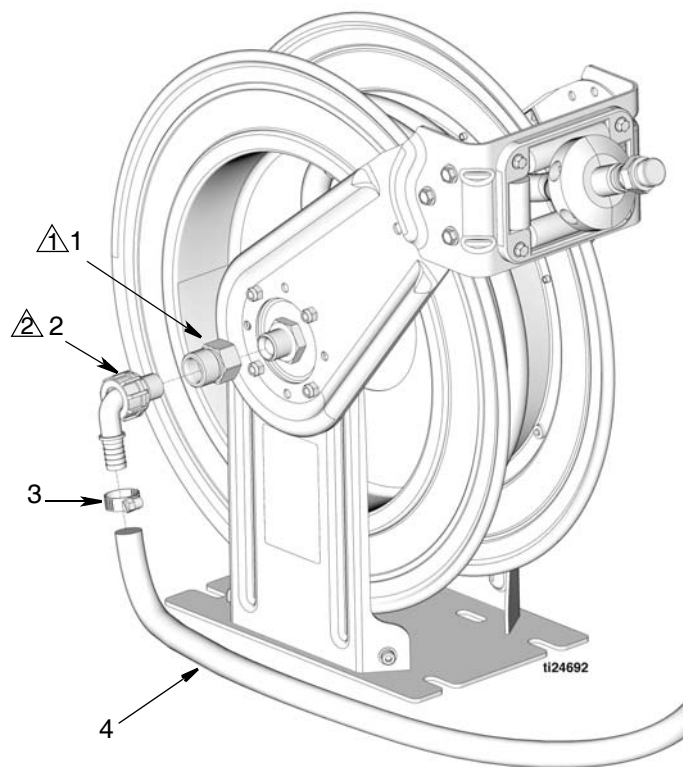



Important Safety Instructions


Read all warnings and instructions in this manual and in the XD Diesel Exhaust Fluid (DEF) Hose Reel instruction manual. Save all instructions.

Parts

Ref	Part No.	Description	Qty
1	127810	FITTING, 3/4 in. BSPP(f) x 1 in. BSPP(m)	1
2	127823	FITTING, elbow, 90°, 1 in. BSP x 3/4 in. hose barb	1
3	103927	CLAMP, hose	2
4	127845	HOSE, DEF, 2 ft.; Kit 24W250	1
	127824	HOSE, DEF, 6 ft.; Kit 24W251	1



 Wrench tight only

 Hand tight only

Reel Connection: 3/4 in. BSPP with 60° sealing cone; mates with XD30 DEF Hose Reels

Hose Connection: 3/4 in. hose end; requires 3/4 in. hose barb connection

Graco Information

For the latest information about Graco products, visit www.graco.com.

For patent information, see www.graco.com/patents.

TO PLACE AN ORDER, contact your Graco distributor or call to identify the nearest distributor.

Phone: 612-623-6928 **or Toll Free:** 1-800-533-9655, **Fax:** 612-378-3590

*All written and visual data contained in this document reflects the latest product information available at the time of publication.
Graco reserves the right to make changes at any time without notice.*

Original instructions. This manual contains English. MM 407130

Graco Headquarters: Minneapolis

International Offices: Belgium, China, Japan, Korea

GRACO INC. AND SUBSIDIARIES • P.O. BOX 1441 • MINNEAPOLIS MN 55440-1441 • USA

Copyright 2014, Graco Inc. All Graco manufacturing locations are registered to ISO 9001.

www.graco.com

October 2014